


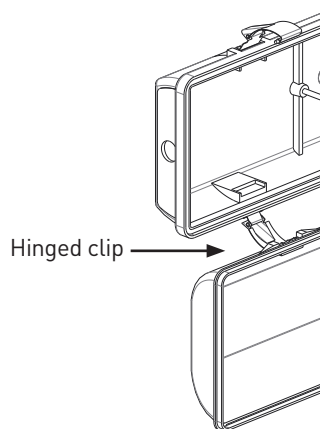
Specifications:

All models	
Supply Voltage	230-240V a.c. 50Hz
Power Factor	> 0.9
Colour Temperature	4000K
IP Rating	IP65

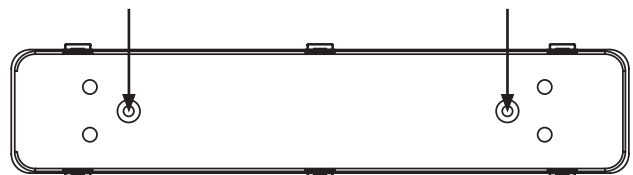
Mounting centres			
Cat. no.	L (mm)	W (mm)	
FL9880	480	50	
FL9881	958	50	
FL9882	1240	50	

Installation:

1. Disconnect mains supply before installing, servicing or maintaining the luminaire.
2. Unlock the diffuser clips to open the luminaire, Note: one side of the diffuser is hinged as shown.



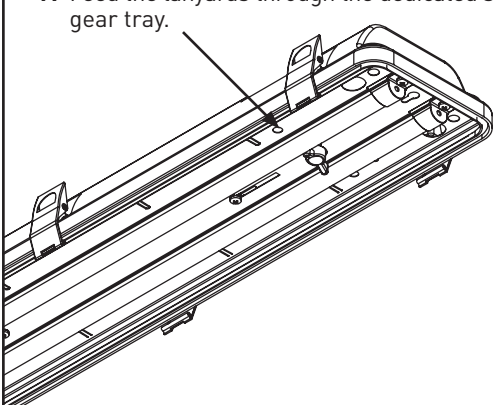
3. The gear tray should be detached to assist with installation by twisting the quarter turn fasteners.
4. Drill out mounting holes as shown in the specification table.
5. Use the supplied screw set to ensure IP65 is maintained.
6. Fit the power cable through the supplied IP65 gland.
7. For additional cable entry, drill the base in the marked locations.



8. Make the electrical connection at the terminal block.

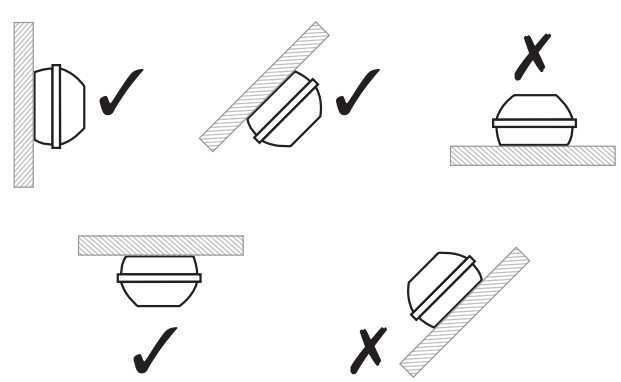


9. Feed the lanyards through the dedicated slots in the gear tray.



10. Fit the gear tray to the base and lock in position with the quarter turn fasteners.

Installation positions to maintain IP rating



Disclaimers:

This product must be installed and used as per these instructions.

- An IP rating of IP65 is completely protected against dust and generally considered suitable for fully exposed external installations, but not for high pressure hoses.
- The IP rating of this product is only valid when all applicable seals, glands and their appropriate cables are installed correctly.
- The IP rating of this product is only valid when installed on flat and non-porous surfaces. Additional sealing may be required for irregular surfaces.
- Extended exposure to UV rays (such as exposure to direct sunlight) may cause discolouration of this product.
- This product is not suitable for marine environments such as areas subject to salt spray and/or mist.
- This product is not suitable for installation in hazardous and/or corrosive areas.
- This product must be installed and used as per these instructions.
- This product must be installed by a licensed electrician.
- This product must be securely attached to a suitable structural member of the installation.
- This product utilises intellectual property in the form of registered designs, trademarks, and/or patents. Such intellectual property remains the property of Famco in all cases.
- Famco reserves the right to modify the specifications of this product at any time.

- This product has been designed to operate in ambient temperatures from -5°C to 35°C.
- The material in this product may vary in colour from batch to batch. Colour matching from one batch to another cannot be guaranteed.
- Please be aware that LED light sources degrade over time. We recommend the LED source or fitting is replaced every 7 years.
- Lamp life is an average figure only and may be reduced by frequent switching.
- This product should only be cleaned with a damp cloth. Cleaning agents and solvents should not be used.
- This product should not be cleaned with a hose.
- This product has no user serviceable parts and no attempt should be made to repair this product. For repair please contact Famco.
- Severe electromagnetic interference from other products may cause malfunction of this product.
- Electrical installations periodically receive transient over-voltages. This product has been designed to minimise the effect of such voltages on connected equipment. It may not give full protection for extreme transient over-voltages such as those resulting from a close lighting strike.
- This product has been designed to operate on a nominal supply voltage of 230V (- 6%) to 240V (+ 6%) a.c.

Warranty

Famco guarantees this lighting unit for a period of 3 years from date of despatch, solely against failure arising from faulty materials or workmanship, and provided that the unit has been stored, shipped, installed, used and maintained in accordance with the manufacturers instructions and relevant standards. Consult Famco Conditions of Sale for details on warranty liability. If this lighting unit is faulty, return the unit freight pre-paid to your point of purchase, or contact Famco.

Customer Service

For all Customer Service and Technical Support enquires please call Monday to Friday during business hours.

Famco Lighting PTY LTD
 +61 (03) 9935 7300
www.famco.com.au

ABN: 22 091 160 440