

# LED Goldstar™

## SURFACE MOUNT – D63



A complete range of non-maintained Emergency luminaires for commercial applications.

### FEATURES

- Electronics designed to lengthen the life of the battery, minimizing maintenance costs
- Environmentally friendly battery
- One high Brightness LED
- T-sense™ temperature sensing technology for LIION battery
- 5 year warranty
- Available in black or white finish
- Standalone or MasterMinder emergency monitored
- Designed and Manufactured in Australia


### APPLICATIONS

- Commercial offices
- Shopping centre
- Facilities
- Public Building applications



F9994/SMS/LI

### TECHNICAL INFORMATION

- Operating mode: Maintained
- Operating voltage: 240V a.c. +/- 6% 50Hz
- Power consumption: 2W
- Battery: Li-ion 6.4V, 3.0Ah
- IP rating: IP20
- Body construction: Polycarbonate (satellite head), steel (enclosure)
- Operating temperature: 10°C to 40°C
- Compliance: AS/NZS 2293 AS/NZS 60598 

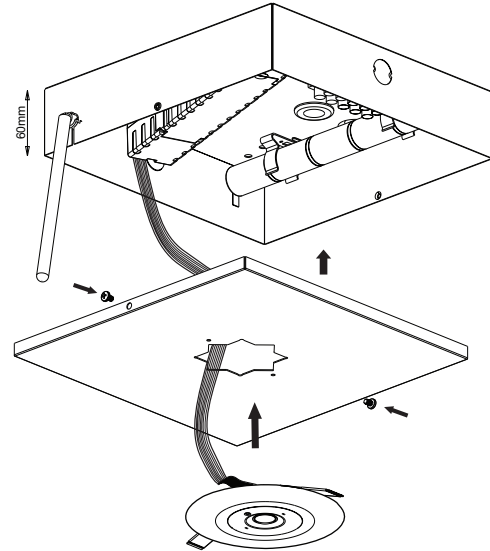
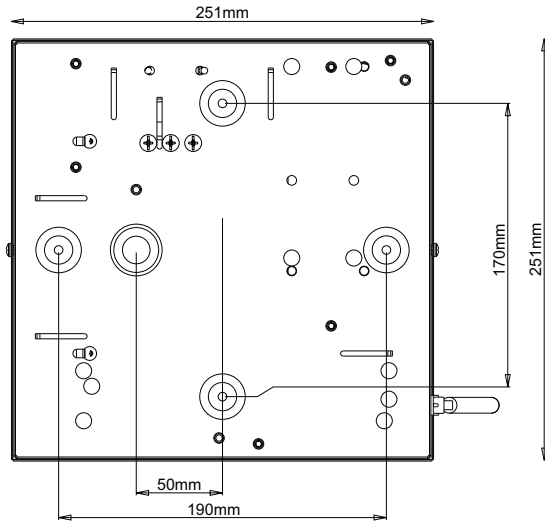
SPU		
Cat No	Description	Classification C0/C90
F9994/SMS/LI	LED Goldstar Surface Mount White	D63
F9994/SMS/BL/LI	LED Goldstar Surface Mount Black	D63

MasterMinder		
Cat No	Description	Classification C0/C90
FX9994/SMS/LI	MasterMinder LED Goldstar Surface Mount White	D63
FX9994/SMSBL/LI	MasterMinder LED Goldstar Surface Mount Black	D63

# LED Goldstar™

## SURFACE MOUNT – D63

### DIMENSIONS



Spacing table: Maximum spacings between luminaires for 0.2 lux

Mounting Height (m)	2.4	2.7	3	3.3	3.6	4.0
A	20.3	21.1	21.8	22.4	23.0	23.7
B	20.3	21.1	21.8	22.4	23.0	23.7

Spacing table: Maximum spacings between luminaires for 1 lux

Mounting Height (m)	2.4	2.7	3	3.3	3.6	4.0
A	11.4	11.8	12.1	12.3	12.5	12.7
B	11.4	11.8	12.1	12.3	12.5	12.7

More info available at:  
[www.famco.com.au](http://www.famco.com.au)