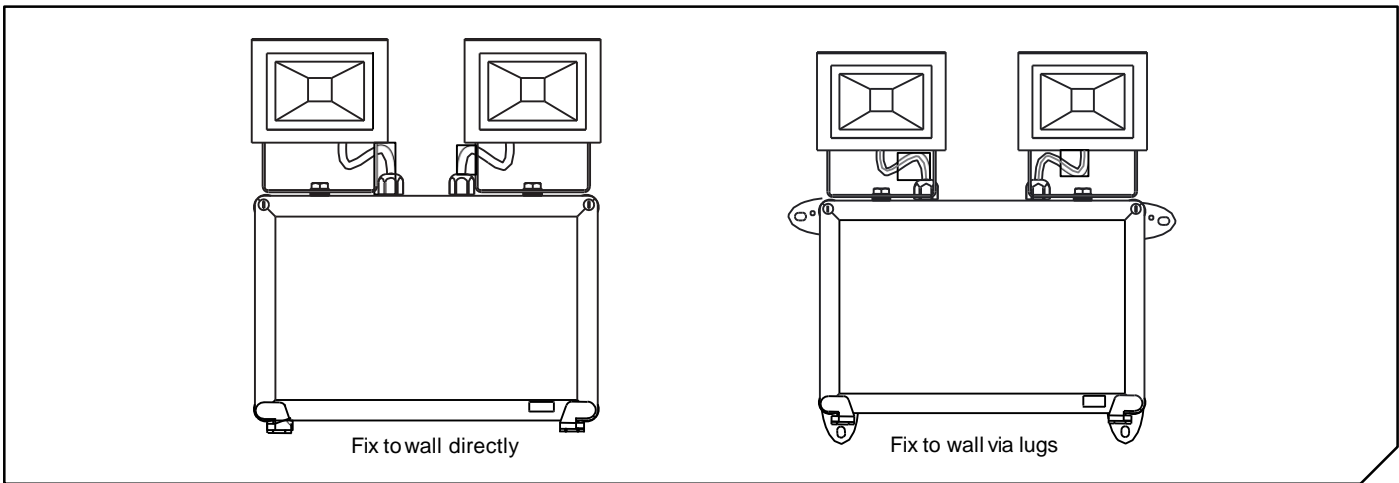


TWIN LED SITE GUARD

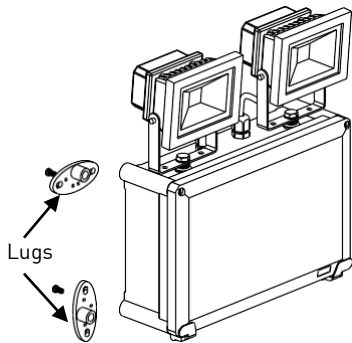


Specifications

| | |
|----------------|----------------|
| Supply voltage | 230 – 240V a.c |
| IP Rating | IP65 |
| Net Weight | 2.6Kg |

Installation

The Twin LED Spotlight can be fixed to the wall either directly or using the lugs provided.



1. Fix the box to the wall either directly through the 4 channels in the box or using the lugs. Use 8 to 12 gauge screws (not supplied).
2. Open the box and drill a $\varnothing 20\text{mm}$ hole in the desired cable entry location, taking care to avoid damaging internal components.
3. Install the supplied cable gland in the $\varnothing 20\text{mm}$ hole. This is necessary to maintain the IP rating.
4. Fit the power cable through the gland and terminate into the terminal block. Use $\varnothing 10\text{mm}$ circular cable to maintain the IP rating.
5. Close the Twin spotlight cover and lock into position.

Note: For DALI models, connect the DALI cable to the DALI terminals. If the DALI cable is separate from the power cable, an additional cable gland will be required.

