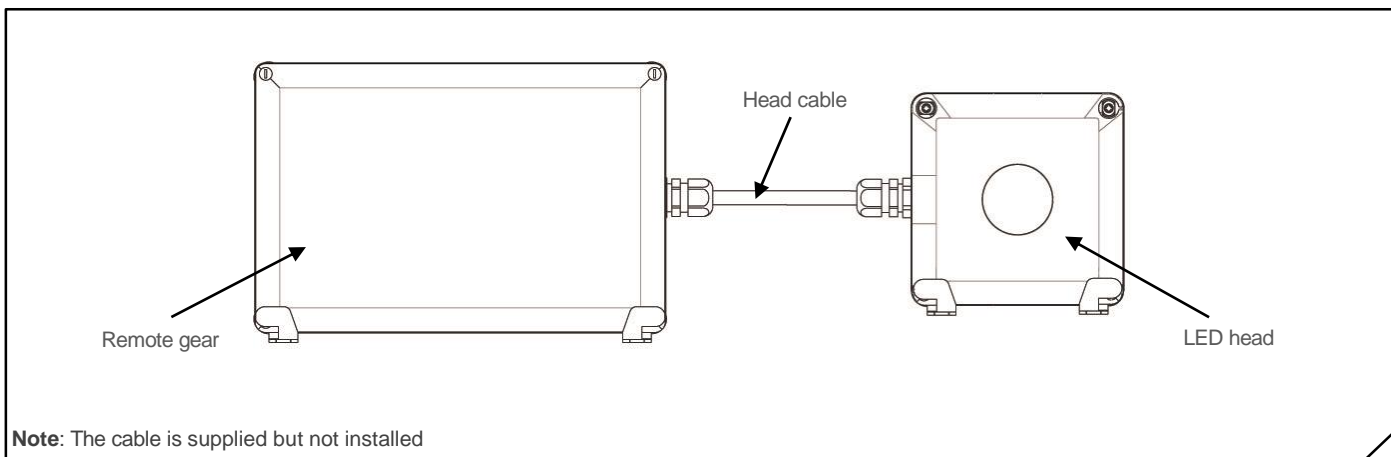


FREEZER LED GOLDSTAR MAXIMUS



Note: The cable is supplied but not installed

Specifications	
Supply voltage	230 – 240 V a.c.
Colour Temperature	5000 K
IP Rating	IP65
Net Weight	2 Kg
Ambient Temperature	- 40°C to 40°C for the LED Head 10°C to 40°C for the Remote gear

Installation

2 ways to install your Freezer LED Goldstar Maximus

Option 1: Direct Ceiling Mount

Fix the remote gear to the ceiling

- 1) Drill a Ø20mm hole in the desired entry location for the power cable.
- 2) Install the gland into position.

3) Fit the power cable through the gland and terminate into the terminal block. Use Ø10mm circular cable to maintain the IP rating.

4) Drill another Ø20mm hole in the desired entry location for the connecting head cable.

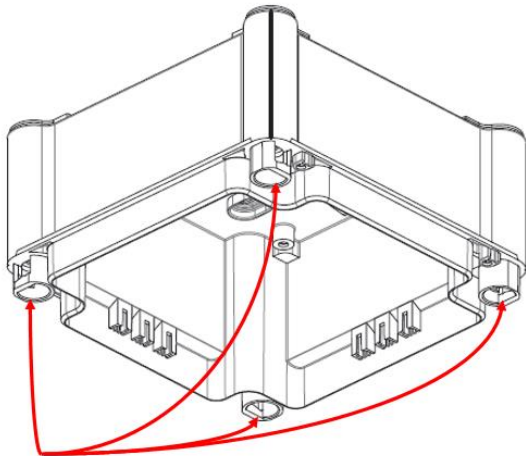
5) Install the gland into position.

6) Fit the head cable through the gland and tighten.

7) Fix the box to the ceiling through the 4 channels. Use 8 to 12 gauge screws. (not supplied)

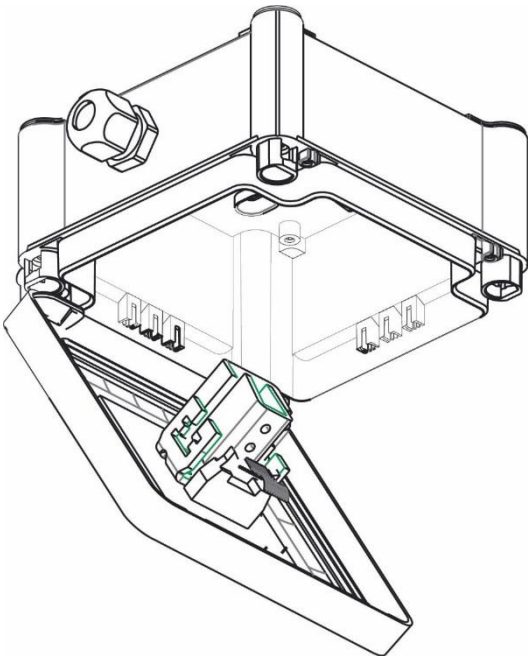
Fix the LED head to the ceiling

- 1) Drill a $\varnothing 20\text{mm}$ hole on the side for the connecting head cable.
- 2) Install the gland into position.
- 3) Fit the head cable through the gland and tighten.
- 4) Fix the box to the ceiling through the 4 channels. Use 8 to 12 gauge screws. (not supplied)



Channels

- 5) Close the LED head box cover and lock into position.



Option 2: Fix to ceiling via lugs

- 1) Install the 4 lugs on LED head and remote gear if required.

